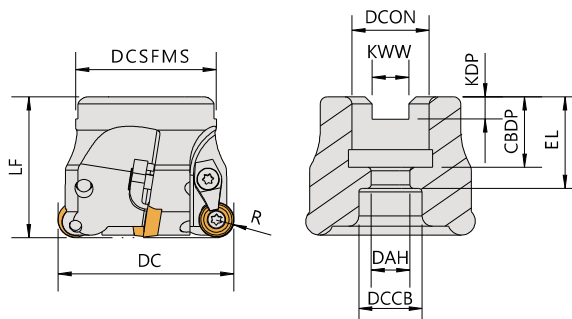


MSRD10

圓角殼型銑刀

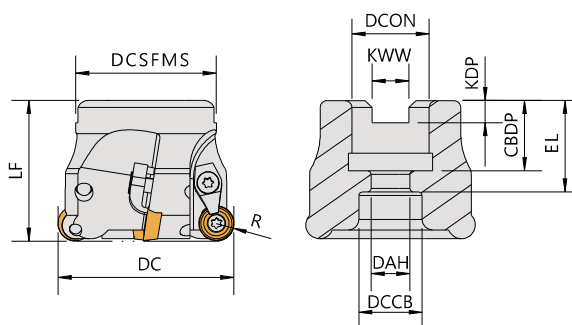
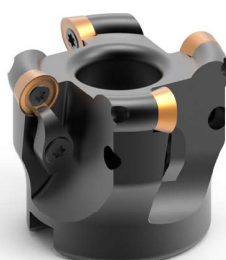


▼Recommended Inserts 刀片建議品牌: HITACHI

Order No.	Insert	Dimensions(mm)				Screw	Clamp	Wrench
Right / Left		刀徑 DC	長度 LF	孔徑 DCON	刃數 I No			
MSRD10-050-04	RDMT10T3	50	40	22	4	CS35091	CP50-27AS	DBIT-T15
MSRD10-063-05		63	40	22	5			
MSRD10-080-06		80	50	27	6			
MSRD10-100-07		100	50	32	7			
MSRD10-125-08		125	55	40	8			

MSRD12

圓角殼型銑刀



▼Recommended Inserts 刀片建議品牌: HITACHI

Order No.	Insert	Dimensions(mm)				Screw	Clamp	Wrench
Right / Left		刀徑 DC	長度 LF	孔徑 DCON	刃數 I No			
MSRD12-050-04	RDMT1204	50	40	22	4	CS4009P	CP50-27AS	DBIT-TP15
MSRD12-063-05		63	40	22	5			
MSRD12-080-06		80	50	27	6			
MSRD12-100-07		100	50	32	7			
MSRD12-125-08		125	55	40	8			